
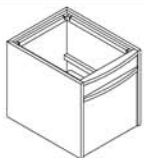











LEVENGER[®]
Solutions for Readers, Writers & Thinkers

Levenger Jeeves Office Assistant

Parts List

Item	Description		QTY
A	Cushion / Lapdesk		1
B	Cabinet		1
C	Shelf		1

Hardware List

Item	Description		QTY
1	Screw		20
2	Caster		3
3	Caster With Brake		2
4	Short Rail		2
5	Long Rail		2
6	Flat washers		20



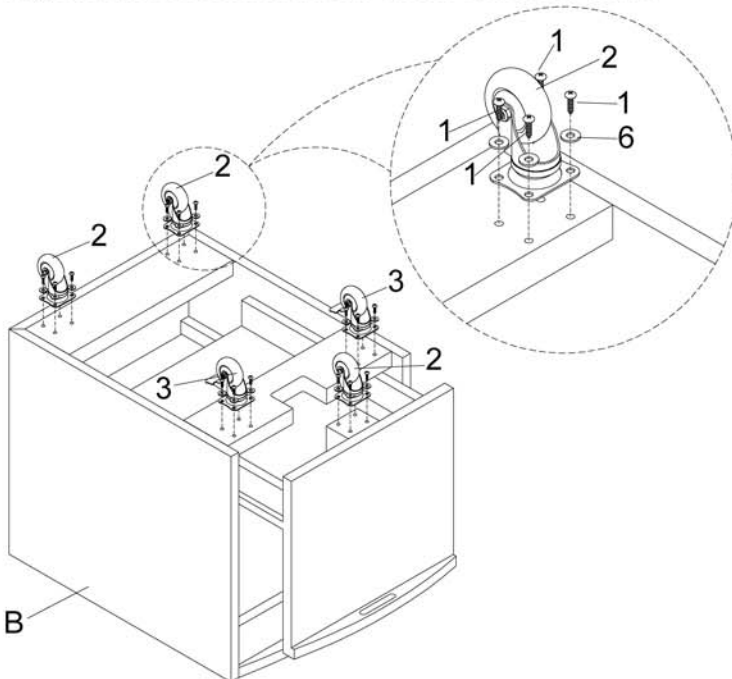
Overall Dimension: 16"W x 20.5"D x 22.5"H

REMARK

- CAREFULLY PLACE ALL COMPONENTS ON A RUG, TOWEL, BLANKET OR OTHER PROTECTIVE SURFACE.
- IT IS RECOMMENDED THAT THIS BE ASSEMBLED BY 2 PEOPLE, AS IT IS HEAVY.

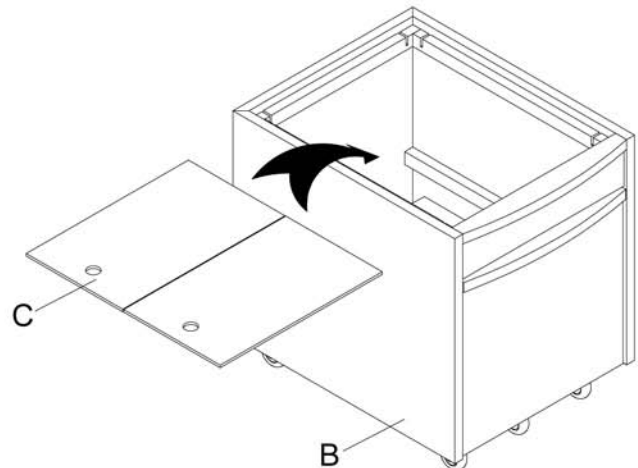
Step 1

Flip the unit over and pull out the valet.
Align the pre-drilled holes and caster and fixed them.



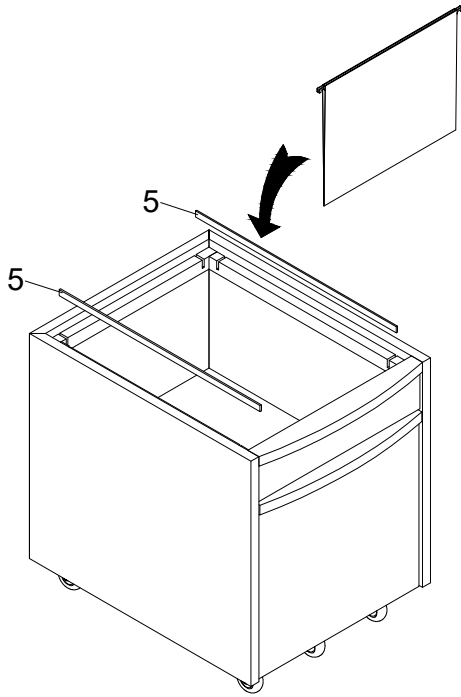
Step 2

Push the valet back in. Stand the file cabinet upright carefully. Put the bottom shelf into cabinet.



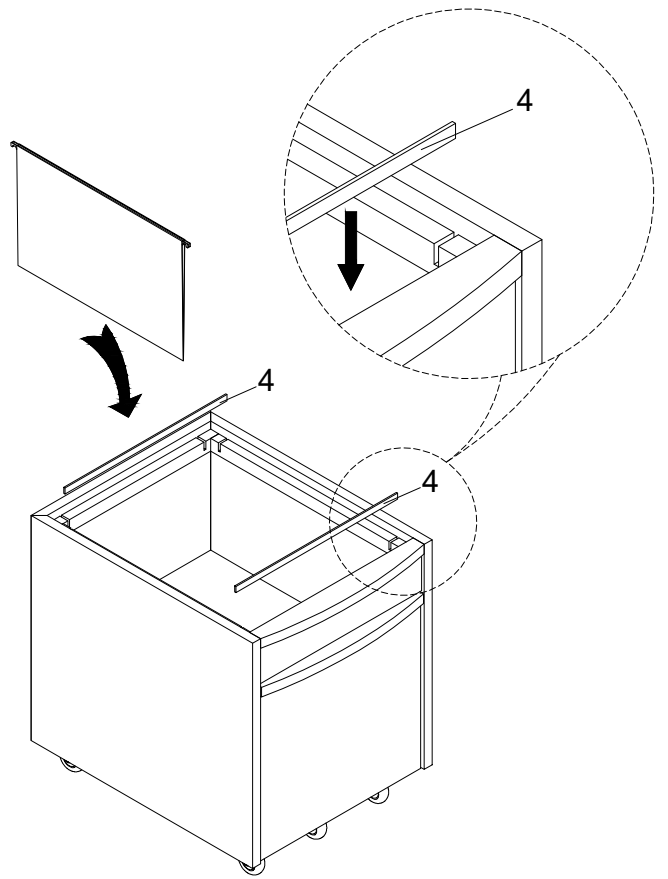
Step 3

Long rail for letter size hanging file holder.



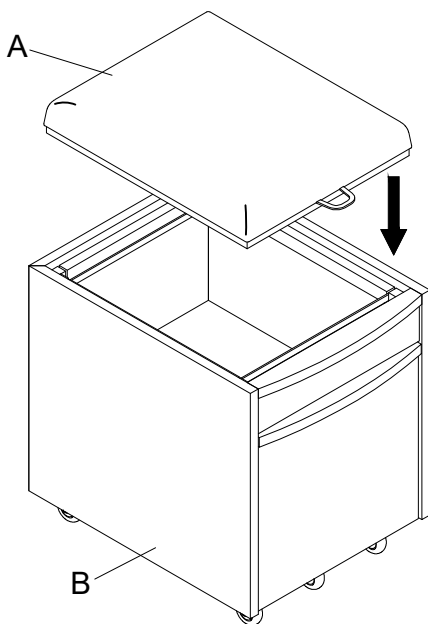
Step 3A optional

Short rail for legal size hanging file holder.



Step 4

Place the cushion back on top of the cabinet.



Step 5

